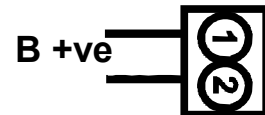
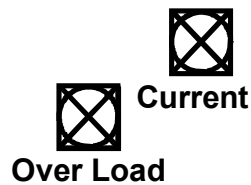
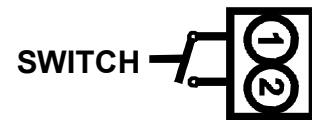
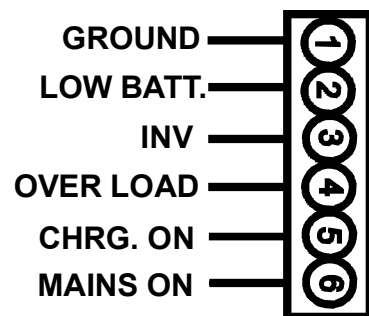
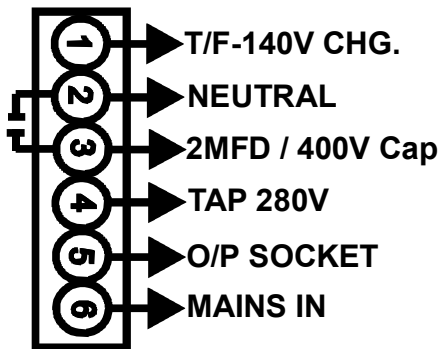


WIRING DIAGRAM FOR MICROCONTROLLER BASED INVERTER KIT 300/400/600/800VA SMALL KIT

SP. FEATURES:-

1. AC LOW CUT
2. CHARGING CUT OFF
3. MAINS ON DELAY
4. LOW BATTERY CUT OFF
5. OVER LOW CUT OFF
6. SHORT CIRCUIT PROTECTION
7. SCR SHORT CIRCUIT PROTECTION
8. NO NEED OF 9-0-9 OR 12-0-12 TRANSFORMER



TRANSFORMER DATA:-

FOR 400VA

Core- 4No. 2.75 Inch
PR- 19 - 0 - 19 Turns of 14 SWG
SC- 0 - 248 - 400 Turns of 23 SWG

FOR 600VA

Core- 4No. 2.75 Inch
PR- 19 - 0 - 19 Turns of 12 SWG
SC- 0 - 248 - 400 Turns of 21 SWG

FOR 800VA

Core- 4No. 3 Inch
PR- 17 - 0 - 17 Turns of 11 SWG
SC- 0 - 222 - 365 Turns of 21 SWG

NEGATIVE

