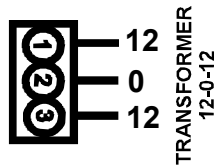
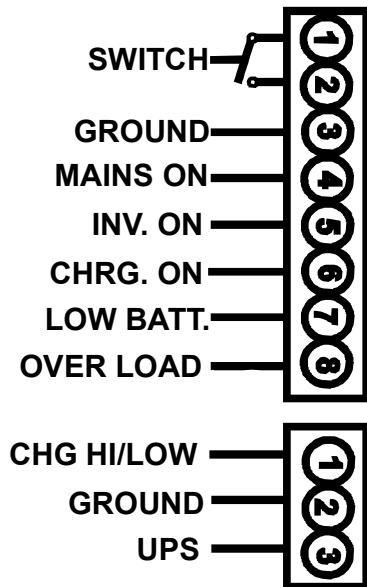
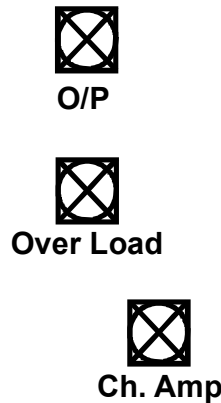
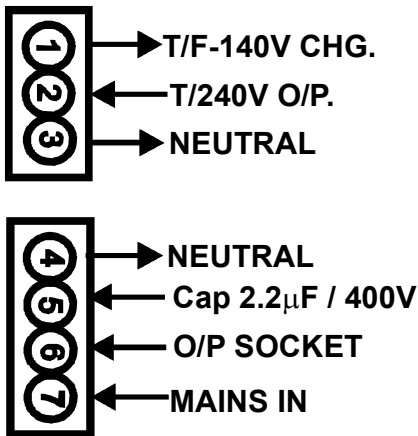


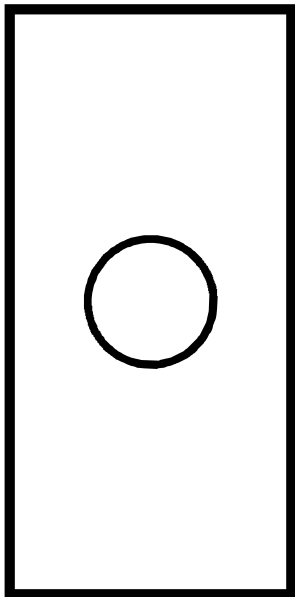
WIRING DIAGRAM FOR MICROCONTROLLER BASED INVERTER/HOME UPS KIT 600VA & 800VA

SP. FEATURES:-

1. AC HIGH CUT
2. AC LOW CUT
3. CHARGING CUT OFF
4. MAINS ON DELAY
5. LOW BATTERY CUT OFF
6. OVER LOW CUT OFF
7. SHORT CIRCUIT PROTECTION
8. HOME UPS / INVERTOR MODE



+12V BATT.



TRANSFORMER DATA:-

FOR 600VA

Core- 4No. 2.75 Inch
PR- 19 - 0 - 19 Turns of 12 SWG
SC- 0 - 248 - 400 Turns of 21 SWG

FOR 800VA

Core- 4No. 3 Inch
PR- 17 - 0 - 17 Turns of 11 SWG
SC- 0 - 222 - 365 Turns of 21 SWG

NEGATIVE

